

PRODUCT SPECIFICATIONS

NAME	STEREO PHONOGRAPH CARTRIDGE	CUSTOMER'S MODEL NO.	
		OWN'S MODEL NO.	MG-2862
		REPLACEMENT STYLUS NO.	CN-253

GENERAL

- The purpose of this specifications is to make product whose the stable and constant performance.
- This specifications is applied to above MODEL NO. of a cartridge.
- Type of generating element is moving magnetic stereo.

PHYSICAL DESCRIPTION

	Item	Specifications
1).	DIMENSIONS	See drawing of above MODEL NO. MG-2862
2).	WEIGHT	4.3 g (± 0.4 g)
3).	BODY COLOUR	SILVER
4).	STYLUS KNOB COLOUR	BLACK (ABS)
5).	STYLUS TIP	Bonded diamond, 0.6 mil. (Radius of sphere)
6).	TRACKING FORCE	3.0 g (2.5 ~ 3.5 g)
7).	APPEARANCE	No greatly defect as scratch, stain, dent, and so on.

PERFORMANCE SPECIFICATIONS

	Item	Specifications
1).	OUTPUT VOLTAGE (at 1KHz, 3.54cm/s)	2.4 mV ± 3 dB
2).	CHANNEL BALANCE (at 1KHz, 3.54cm/s)	2.5 dB or less
3).	CHANNEL SEPARATION (at 1KHz)	24 dB (16 dB or more)
4).	FREQUENCY RESPONSE (at 10KHz)	-1.5 dB ± 4 dB
	(at 50~20KHz)	See chart at page 2 of 3
5).	DYNAMIC COMPLIANCE (at 100Hz, LATERAL)	4.5 x10 <sup>-6</sup> cm/dyne or more
	(at Hz, VERTICAL)	x10 <sup>-6</sup> cm/dyne or more
6).	TRACKING ABILITY (at 315Hz, LATERAL, 3.0g)	90 μm (70 μm or more OK)
7).	PHASE AND POLARITY (at 370Hz, lateral square wave)	Same phase and positive polarity
8).	RECORD CLEARANCE (at MAX. tracking force)	0.8 mm (0.5 mm or more)
9).	PULLING FORCE OF THE STYLUS KNOB	100 ~ 1,200 g
10).	INTERNAL RESISTANCE	300 Ω ± 70 Ω
11).	ELECTRIC IMPEDANCE (at 1KHz)	1,200 Ω ± 300 Ω
12).	INSURATION RESISTANCE (at 25V, DC)	5 MΩ or more
13).	GROUND RESISTANCE (R ch, ⊖terminal-body)	1.5 Ω or less
14).	ACCESSORIES	

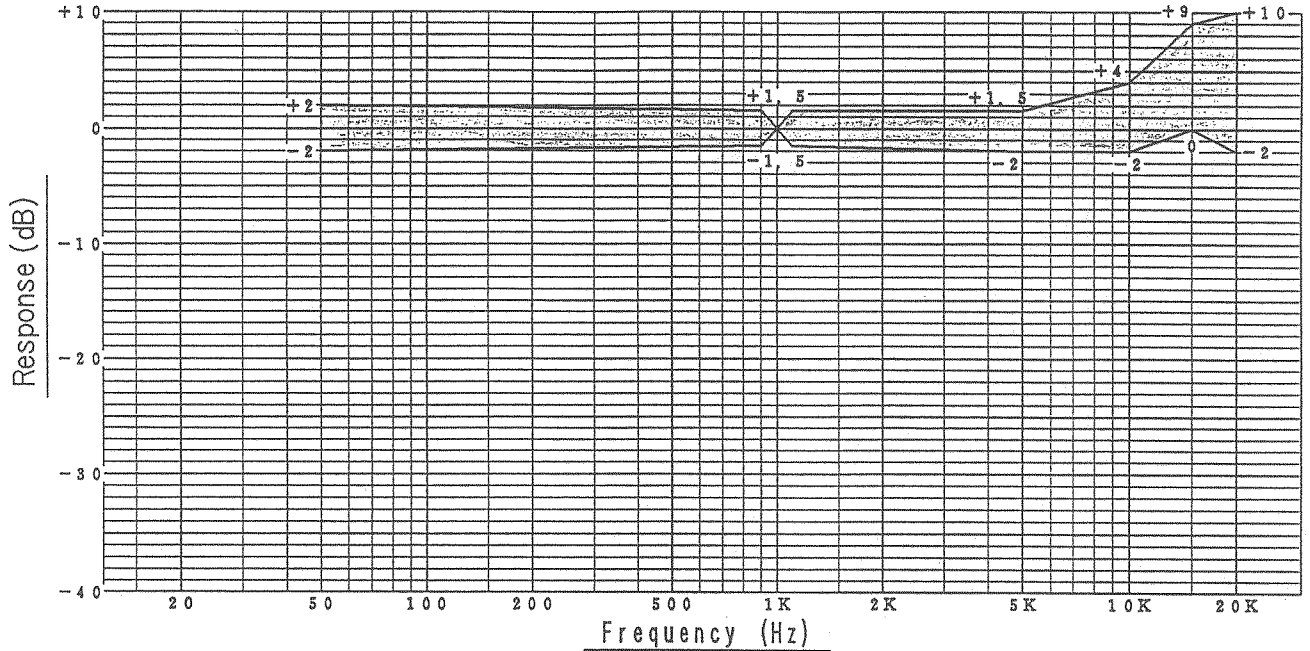
NOTE : Test record as shown on page 2 of 3.

DATE	FEB. 2, 1996	REV.	
DRWG.	CHKD.	APPRO.	
CHUDEN CO., LTD.			

NAME	STEREO PHONOGRAPH CARTRIDGE	CUSTOMER'S MODEL NO.	
		OWN'S MODEL NO.	MG-2862
		REPLACEMENT STYLUS NO.	CN-253

FREQUENCY RESPONSE SPECIFICATION

- Test conditions : 20°C temperature, 65%RH relative humidity
- Load resistance : 47KΩ
- Load capacitance : 200pF
- Test record : TRS-1007 ( JVC )
- Tracking force : 3.0 grams



TEST RECORD

Test record	Measuring item
1). JVC TRS-1004	OUTPUT VOLTAGE, CHANNEL BALANCE, CHANNEL SEPARATION, FREQUENCY RESPONSE (at 10KHz), PHASE AND POLARITY
2). JVC TRS-1007	FREQUENCY RESPONSE (at 50~20KHz)
3). CBS CTC-300/STR-100	DYNAMIC COMPLIANCE
4). DIN 45549	TRACKING ABILITY

STANDARD TEST CONDITIONS

- Perform the test at temperature of 20°C and relative humidity of 65%RH.
- TEMPERATURE CHARACTERISTICS (Page 3 of 3) shows the change of output voltage under the temperature 5°C~35°C for your reference.

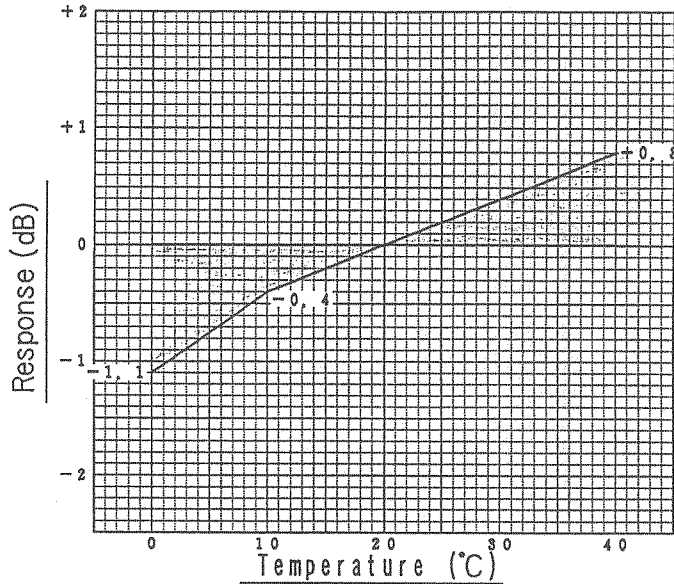
DATE	FEB. 2, 1996	REV.	
DRWG.	CHKD.	APPRO.	
CHUDEN CO., LTD.			

NAME	STEREO PHONOGRAPH CARTRIDGE	CUSTOMER'S MODEL NO.	
		OWN'S MODEL NO.	MG-2862
		REPLACEMENT STYLUS NO.	CN-253

TEMPERATURE CHARACTERISTICS

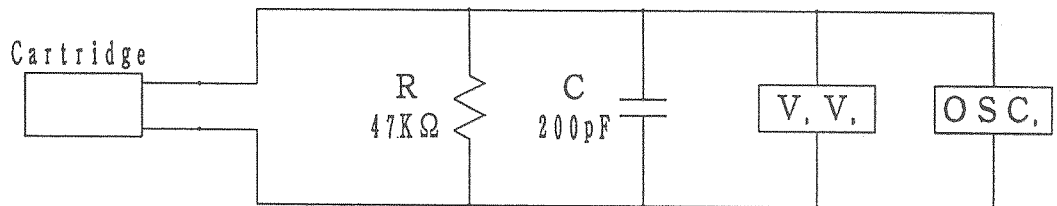
1KHz output level

Test record : TRS-1004 ( JVC )



MEASUREMENT EQUIPMENT

- Should be enough reliability.
- With the cartridge installation reference surface and record disc surface parallel.
- Measure at recommended tracking force.
- See below measurement circuit diagram.



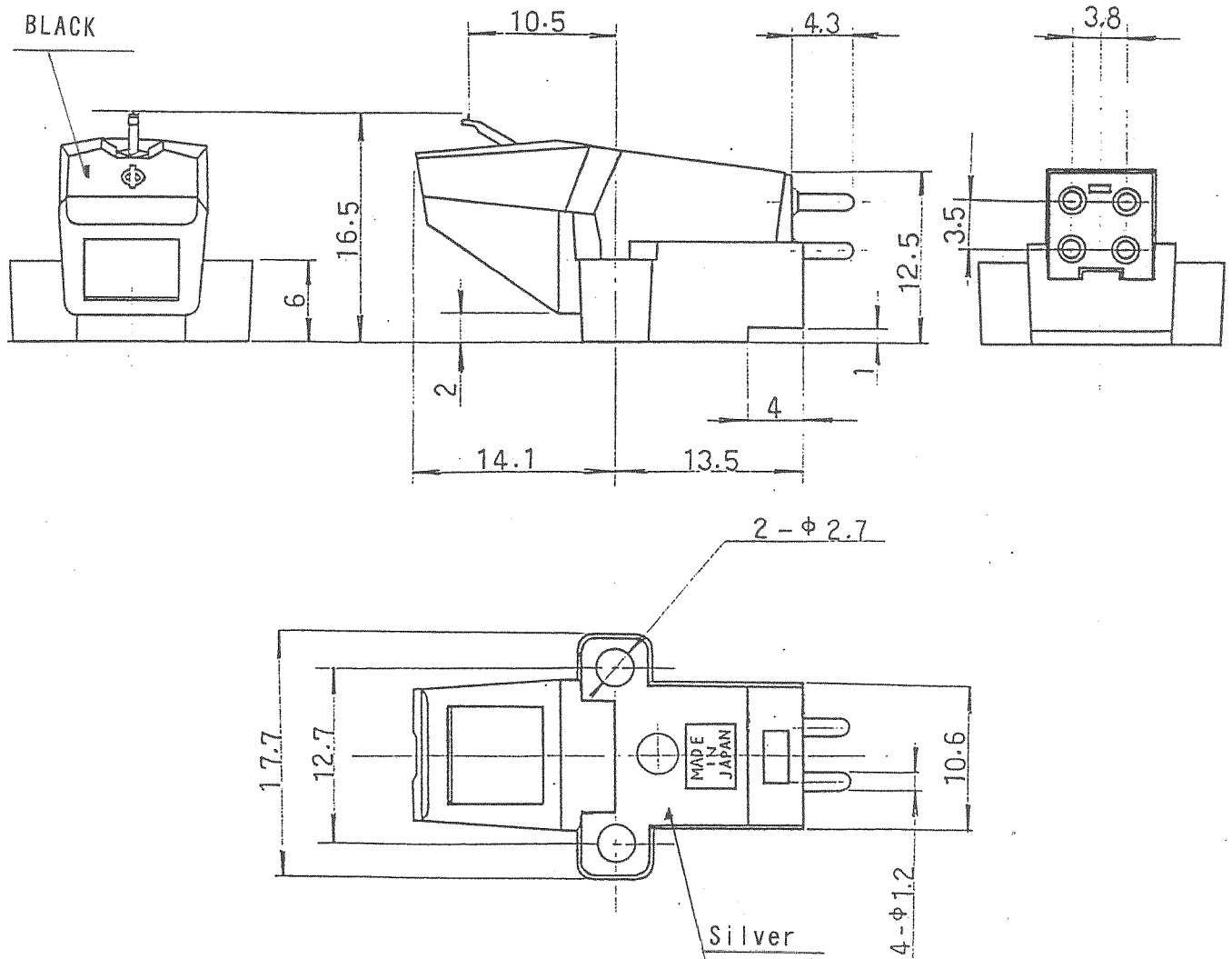
- R : Load resistance - including input resistance of V.V.
- C : Load capacitance - including input capacitance of V.V. and cable's capacitance between cartridge and V.V.
- V.V. : AC millivolt meter
- OSC. : Oscilloscope

MISC.

- In the event of discrepancies or disagreement at to content of this document, revisions shall be made after discussion between both parties.

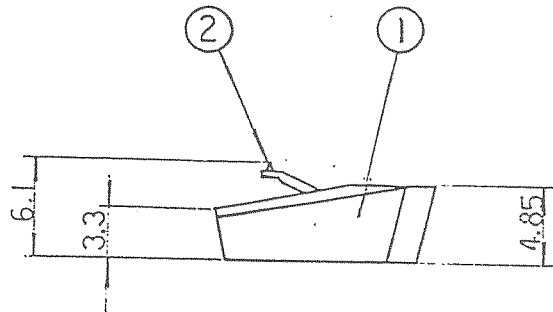
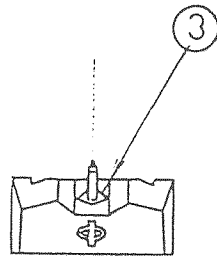
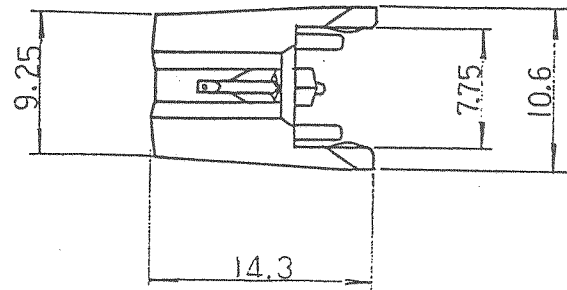
DATE	FEB. 2, 1996	REV.	
DRWG.	CHKD.	APPRO.	
CHUDEN CO., LTD.			

第3角図法		普通寸法公差	符号	訂正年月日	記 事	印	出 区 梅 04.6.23 屋
単位	mm	- 以下 ±					
尺度	2/1	- 以下 ±					
数量		- 以下 ±					



初用機	材質	設計 - -	製図' 96-02-02	担 当	照 査	承 認
	処理					
品名	マグネチック ステレオ カートリッジ MAGNETIC STEREO CARTRIDGE		品番	MG-2862	改訂	CHUDEN CO., LTD.

第3角図法		普通寸法公差	符号	訂正年月日	記 事	印	出 区 梅 04.6.23 屋
単位	mm	~ 以下 ±					
尺度	2/1	~ 以下 ±					
数量		~ 以下 ±					



③	ダンパー	ポリゴム (IIR)	
②	カンチレバー Ass'y		
①	スタイラス ノブ	ABS	Black
No.	部品名	材質	備考

初 用 機	MG-2860	材質	設計 - -	製図'96-02-02	担当	照査	承認
		処理				95.3.2	
品名 スタイラス ノブ Ass'y STYLUS ASSEMBLY		品番 CN-253		改訂	CHUDEN CO., LTD.		

